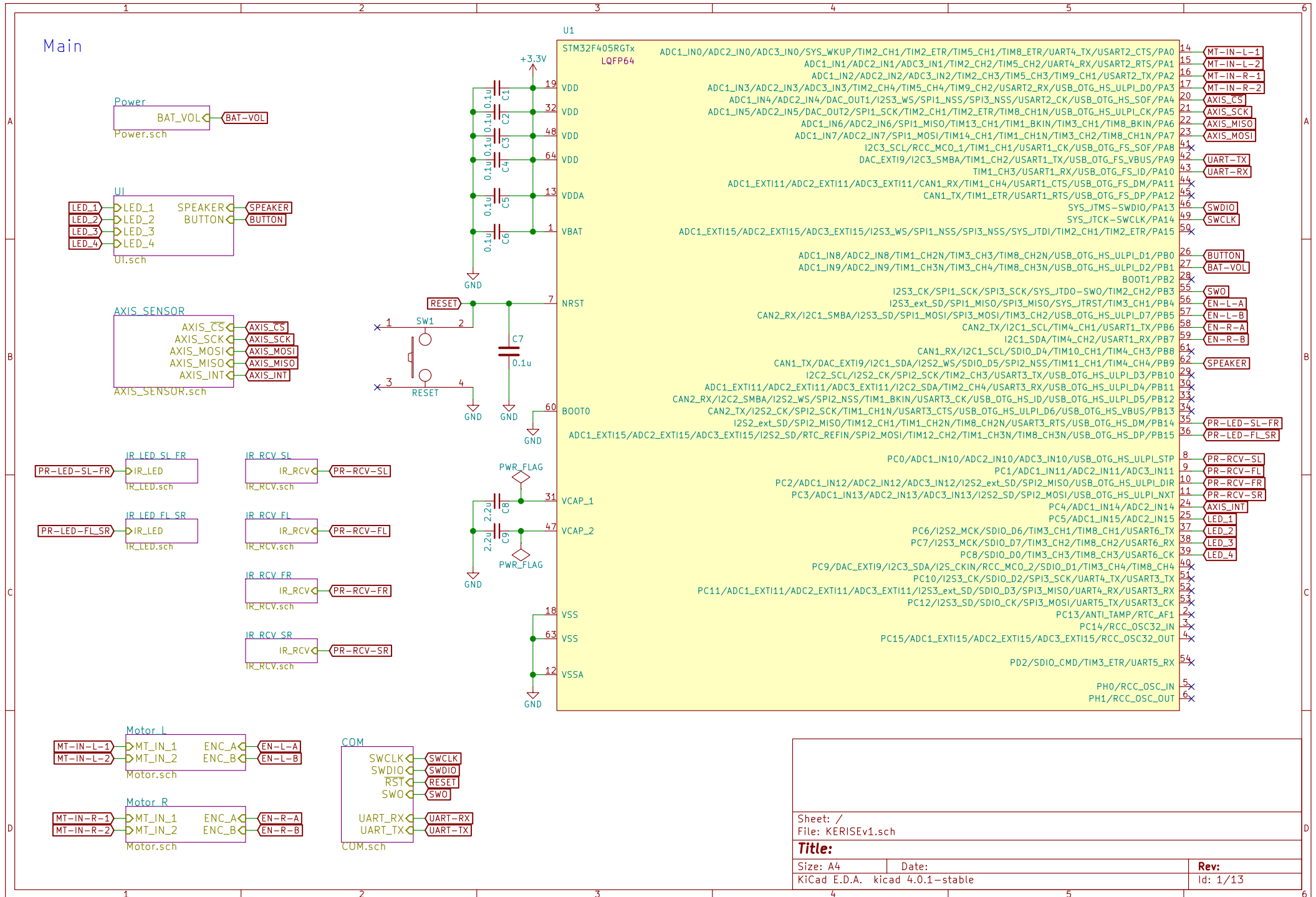
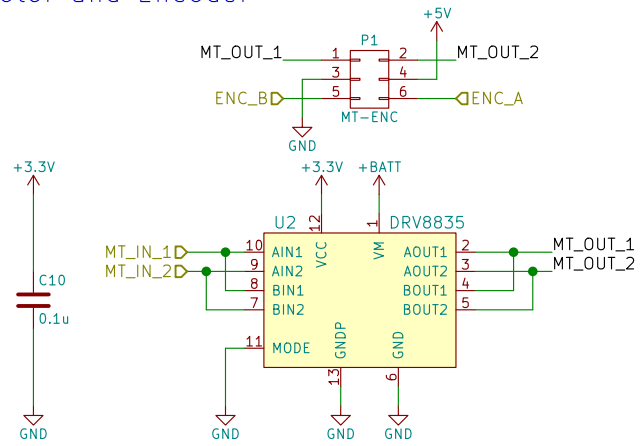


Main



Sheet: /		Date:	
File: KERISEv1.sch			
Title:			
Size: A4	Date:		Rev:
KiCad E.D.A. kicad 4.0.1-stable			Id: 1/13

Motor and Encoder



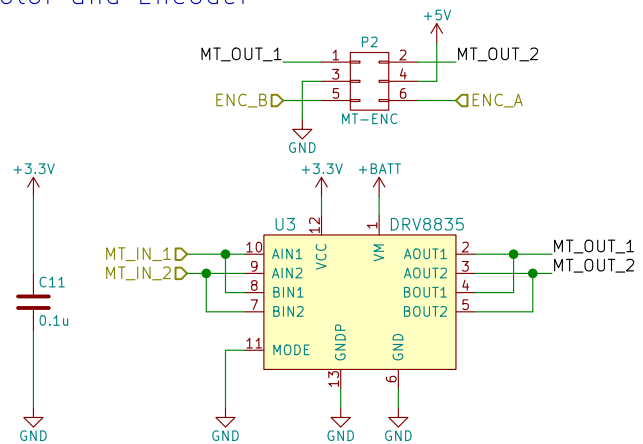
Sheet: /Motor_L/
File: Motor.sch

Title:

Size: A4 Date:
KiCad E.D.A. kicad 4.0.1-stable

Rev:
Id: 2/13

Motor and Encoder



Sheet: /Motor_R/
File: Motor.sch

Title:

Size: A4

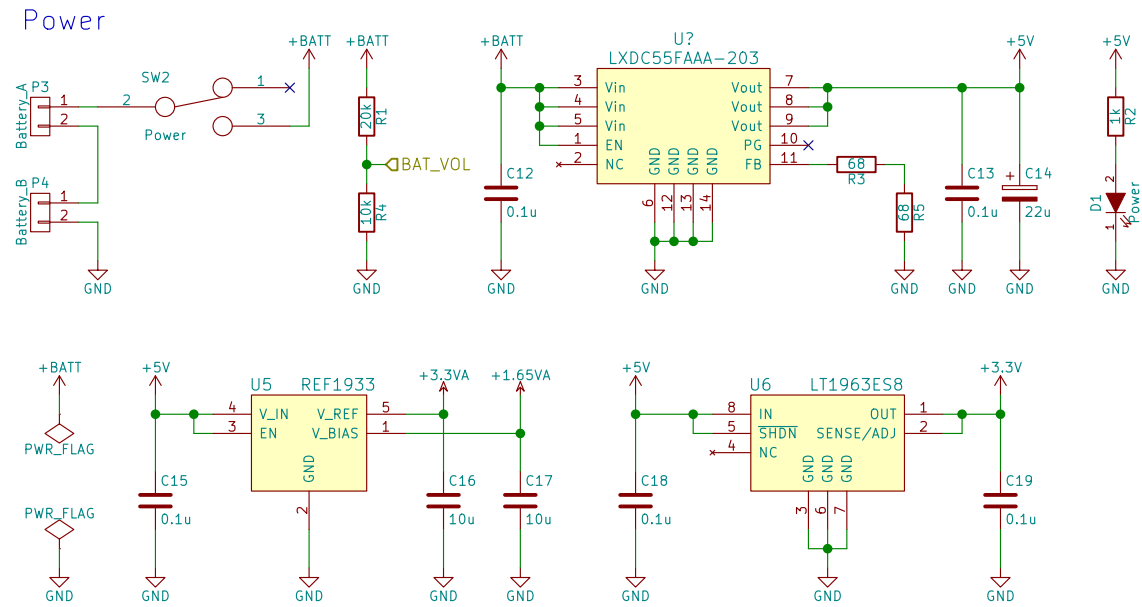
Date:

Rev:

KiCad E.D.A. kicad 4.0.1-stable

Id: 3/13

Power

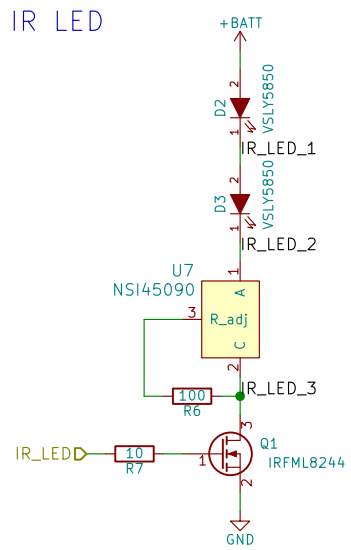


Sheet: /Power/
File: Power.sch

Title:

Size: A4 Date:
KiCad E.D.A. kicad 4.0.1-stable

Rev:
Id: 4/13



Sheet: /IR_LED_SL_FR/
File: IR_LED.sch

Title:

Size: A4

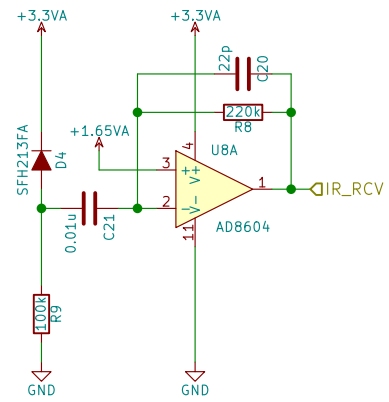
Date:

KiCad E.D.A. kicad 4.0.1-stable

Rev:

Id: 5/13

IR Receiver



Sheet: /IR_RCV_SL/
File: IR_RCV.sch

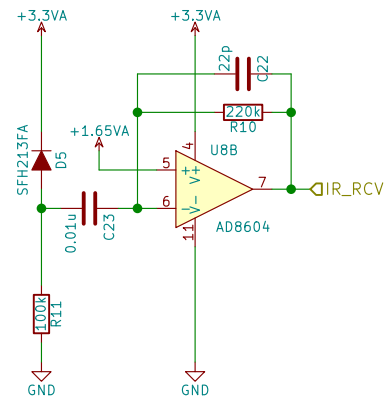
Title:

Size: A4
KiCad E.D.A. kicad 4.0.1-stable

Date:

Rev:
Id: 6/13

IR Receiver



Sheet: /IR_RCV_FL/
File: IR_RCV.sch

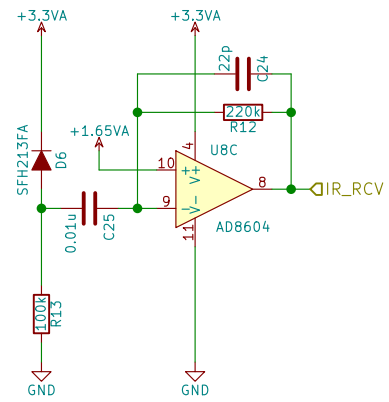
Title:

Size: A4
KiCad E.D.A. kicad 4.0.1-stable

Date:

Rev:
Id: 7/13

IR Receiver



Sheet: /IR_RCV_FR/
File: IR_RCV.sch

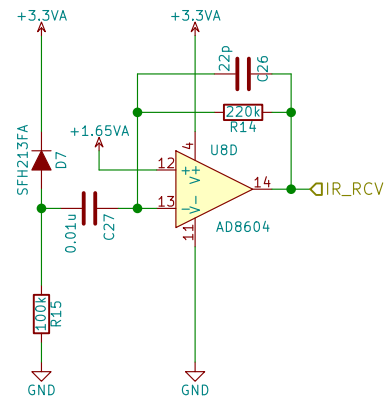
Title:

Size: A4
KiCad E.D.A. kicad 4.0.1-stable

Date:

Rev:
Id: 8/13

IR Receiver

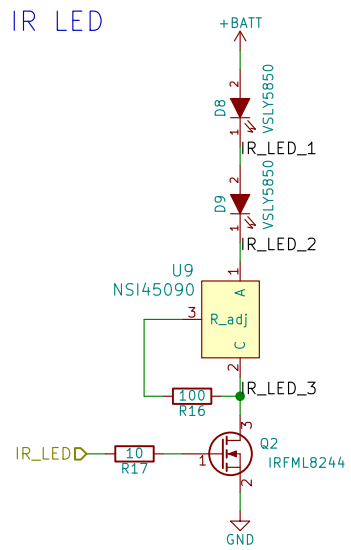


Sheet: /IR_RCV_SR/
File: IR_RCV.sch

Title:

Size: A4 Date:
KiCad E.D.A. kicad 4.0.1-stable

Rev:
Id: 9/13



Sheet: /IR_LED_FL_SR/
File: IR_LED.sch

Title:

Size: A4

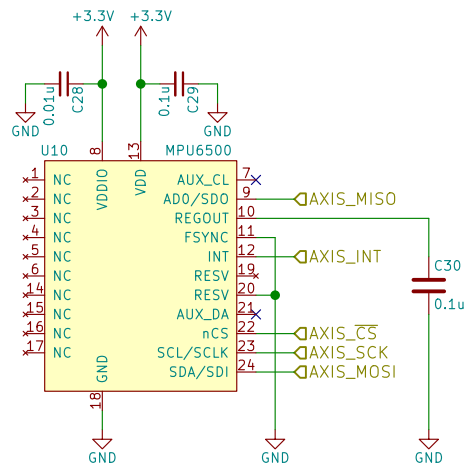
Date:

KiCad E.D.A. kicad 4.0.1-stable

Rev:

Id: 10/13

AXIS Sensor



Sheet: /AXIS_SENSOR/
File: AXIS_SENSOR.sch

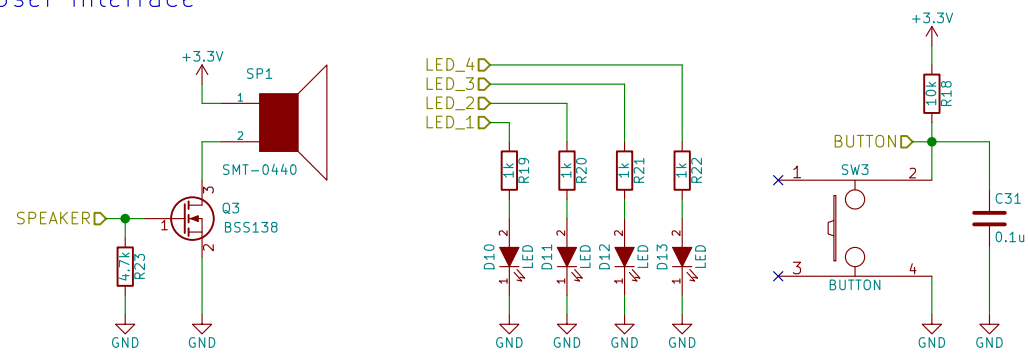
Title:

Size: A4
KiCad E.D.A. kicad 4.0.1-stable

Date:

Rev:
Id: 11/13

User Interface



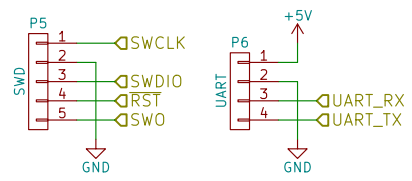
Sheet: /UI/
File: UI.sch

Title:

Size: A4 Date:
KiCad E.D.A. kicad 4.0.1-stable

Rev:
Id: 12/13

COM Port



Sheet: /COM/
File: COM.sch

Title:

Size: A4

Date:

KiCad E.D.A. kicad 4.0.1-stable

Rev:

Id: 13/13